

# HEAVY DUTY HEATING & AIR CONDITIONING UNITS & ALL MAKES PARTS



**2011**

**BUILT TO SURVIVE**

## R-1630

### Heater/Air Conditioner/Defroster Unit

#### OFF ROAD • CONSTRUCTION • INDUSTRIAL

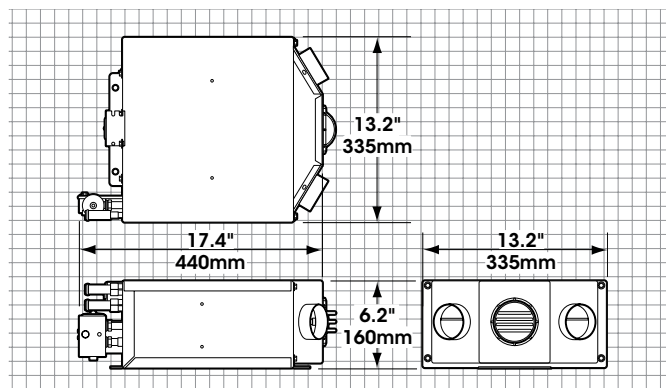


*Shown with optional louvers*

The R-1630 is designed to be the highest capacity heater/air-conditioning unit possible, while maintaining a compact profile that fits easily in the tightest of spaces. The R-1630 can be easily mounted either under the seat or the package tray of many compact pieces of equipment.

#### R-1630 SPECIFICATIONS

<b>BTU'S</b>	Heating - 27,000 BTU/hr @ 100 deg F (5.7kW @ 37.8 deg C) air temp rise Cooling - 17,000 BTU/hr @ with 36 deg F (9.7 kW with 2.2 deg C) refrigerant temp. and 80 deg (26.7 deg C) wet bulb entering air
<b>AIR FLOW</b>	265 CFM
<b>WEIGHT</b>	25 lbs. (11.3 kg)
<b>CURRENT DRAW</b>	17.8 amps @ 13.6 VDC 8.9 amps @ 27.2 VDC
<b>MODELS</b>	R-1630-1P (12 VDC) R-1630-1-24P (24 VDC)



#### OPTIONS:

##### Louvers

Unit above is shown with optional louvers.



RD-3-10597-0P

##### Louvers & Ducts



RD-3-10478-0P

#### R-1630 SYSTEM ORDERING GUIDE

	R12/R-134a	NOTES
<b>UNITS</b>	R-1630-1P R-1630-1-24P	12 VDC – Variable Thermostat 24 VDC – Variable Thermostat
<b>CONDENSER</b>	R-6160 - ROOF MOUNT 77R0650 - RADIATOR MOUNT	See Units Condensers section See 77 Section Condensers section
<b>INSTALLATION KIT</b>	78R1070 78R1027 / RD-5-11864-1P 78R1025	Rooftop Condenser / ATCO version Front mount condenser / E-Z Clip version Front mount condenser / ATCO version
<b>COMPRESSOR</b>	See 75 Series Compressor section	
<b>R134A CHARGE FITTING</b>	75R5681 & 75R5688	Required with CCI and TECUMSEH applications.
<b>CLUTCH TECUMSEH/CCI</b>	See 75 Series Clutch section	
<b>COMPRESSOR MOUNT KIT</b>	See Compressor Mount Applications	

## OFF ROAD

# R-2300

Ductable



### Universal Applications

Perfect for lighter duty applications, the R-2300 delivers high capacity for its size. The R-2300 can be mounted on the floor, ceiling or under dash when required. In addition, optional air outlets are available so that air can be ducted where it's required.

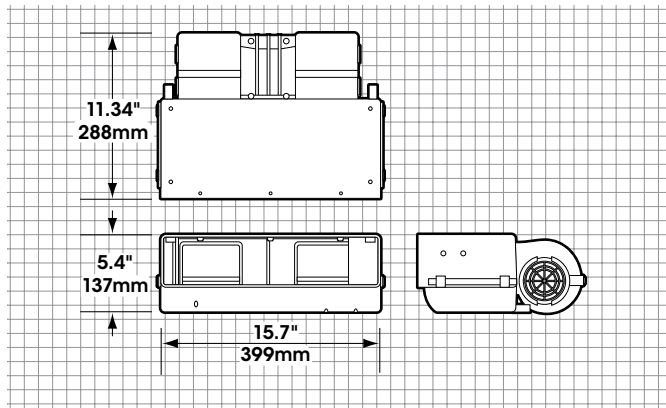
### R-2100 SPECIFICATIONS

**BTU'S** Heating – 32,070 BTU/Hr @ 100°F  
(9 kW @ 37.8°C) air temp. rise  
Cooling – 17,736 BTU/Hr @ 36°F  
(5.2 kW @ 2.2°C) refrigerant temp.  
and 80°F (26.7°C) wet bulb entering air

**WEIGHT** 15 lbs. (6.8 kg)

**AIR FLOW** 275 CFM (467 m3/h)

**CURRENT DRAW** 12.2 amps @ 13.6 VDC  
(includes 4 amps for A/C clutch)  
6.1 amps @ 27.2 VDC  
(includes 2 amps for A/C clutch)



### OPTIONS:

**2 1/2" Outlet Adapter**  
RD-1-1651-OP



**4 Louver Outlet Adapter**  
RD-2-3279-OP



**2 1/2" Defrost Hose (9')**  
78R0250



### R-2300 SYSTEM ORDERING GUIDE

R12/R-134a	NOTES
<b>UNITS</b> R-2300-OP	A/C Only (12 VDC)
R-2300-0-24P	A/C Only (24 VDC)
R-2300-1P	Heater Only (12 VDC)
R-2300-1-24P	Heater Only (24 VDC)
R-2300-2P	Heater A/C (12 VDC)
R-2300-2-24P	Heater A/C (24 VDC)
<b>CONDENSER</b>	12 & 24 VDC, See 77 Series, Condenser Section
<b>INSTALLATION KIT</b>	78R1027 / RD-5-11864-1P Refrigerant hose, fittings, drier, pressure switch, hardware / E-Z Clip version 78R1025 Refrigerant hose, fittings, drier, pressure switch, hardware / ATCO version
<b>COMPRESSOR</b>	See 75 Series Compressor section
<b>R12 SERVICE VALVES</b>	75R5611 & 75R5618 Required with CCI and TECUMSEH applications.
<b>R134A CHARGE FITTING</b>	75R5681 & 75R5688 Required with CCI and TECUMSEH applications.
<b>CLUTCH TECUMSEH/CCI</b>	See 75 Series Clutch section
<b>COMPRESSOR MOUNT KIT</b>	See Compressor Mount Applications section
<b>OPTIONS</b>	Control Panel (See 71 Series, Control Panels)

# R-2550

## Heater/Air Conditioner Unit

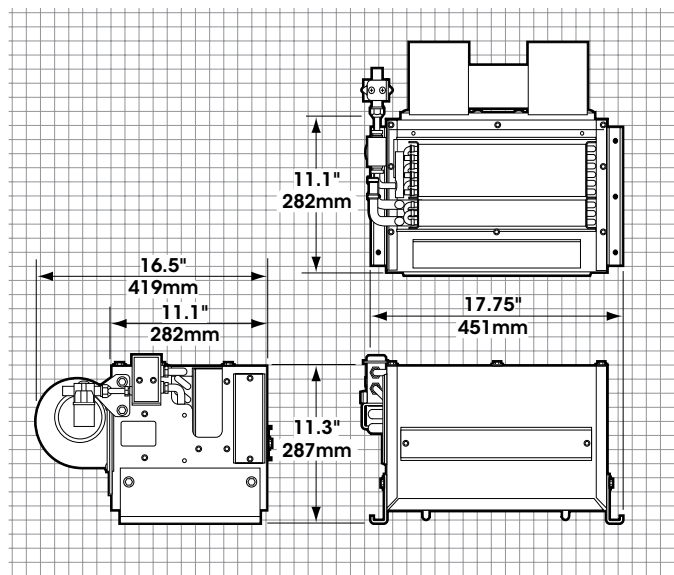


### RESCUE VEHICLE

Specifically designed for installation in ambulance or similar applications. Perfect for lighter duty needs, the R-2550 delivers high capacity for its size.

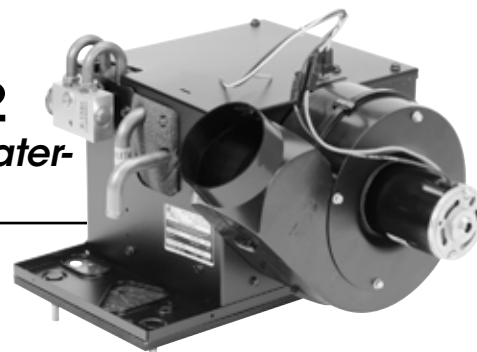
R-2550 SPECIFICATIONS	
<b>BTU'S</b>	Heating – 45,900 BTU/Hr @ 100°F (13.4 kW @ 37.8°C) air temp. rise Cooling – 35,600 BTU/Hr @ 36°F (10.4 kW @ 2.2°C) refrigerant temp. and 80°F (26.7°C) wet bulb entering air
<b>AIR FLOW</b>	390 CFM (662 m3/h)
<b>WEIGHT</b>	39 lbs. (17.7 kg)
<b>CURRENT DRAW</b>	22 amps @ 13.6 VDC (Heater/AC)
<b>UNITS</b>	R-2550-0P Heater/Air Conditioner (12 VDC)

Control Panel Sold Separately



# R-4122

## Sleeper Heater-A/C Unit



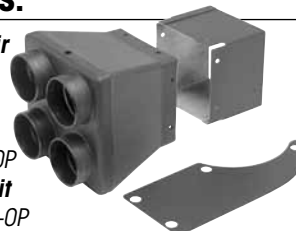
### HEAVY, MEDIUM, & LIGHT DUTY TRUCKS • INDUSTRIAL CABS • VANS

Red Dot is the premier supplier to the sleeper box industry. The R-4122 has been specifically designed for this application. Red Dot has used its vast experience to provide the highest performing unit for sleepers. The four way adapter makes ducting air where its needed easy.

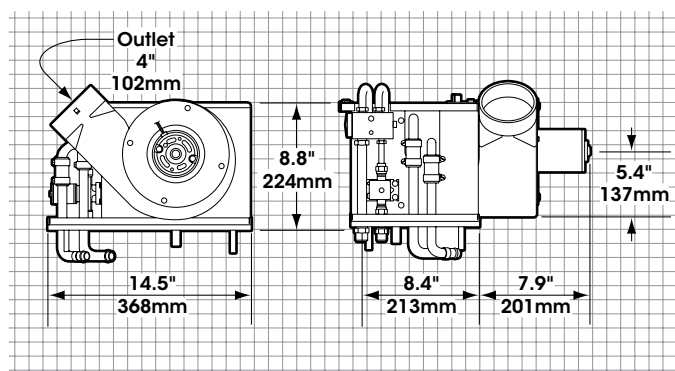
R-4122 SPECIFICATIONS	
<b>BTU'S</b>	Heating – 30,573 BTU's/hr @ 100°F (8.9 kW @ 37.8°C) air temp. rise Cooling – 19,246 BTU's/hr with 36°F (kw 5.6 kW with 2.2°C) refrigerant temp. and 80°F wet bulb entering air
<b>AIR FLOW</b>	283 CFM (481 m3/h)
<b>WEIGHT</b>	28 lbs. (12.7kg)
<b>MOTORS</b>	Permanent magnet, three-speed
<b>CURRENT DRAW</b>	18 amps @ 13.6 VDC 9 amps @ 27.2 VDC
<b>UNITS</b>	Heater/A/C R-4122-9P 12 VDC

### OPTIONS:

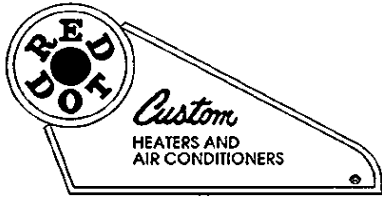
- Four-Way Air Diffuser**  
(outlets are 2 5/8" dia)  
RD-3-7646-0P
- Plumbing Kit**  
RD-3-12465-0P
- Single Shaft, Single Speed Blower Motor**  
73R0404



- Sleeper Control Assembly**  
R-4122-9P – 71R5112  
(thermostat with fan and mode switch)
- Solenoid Valve, 24v**  
71R9004

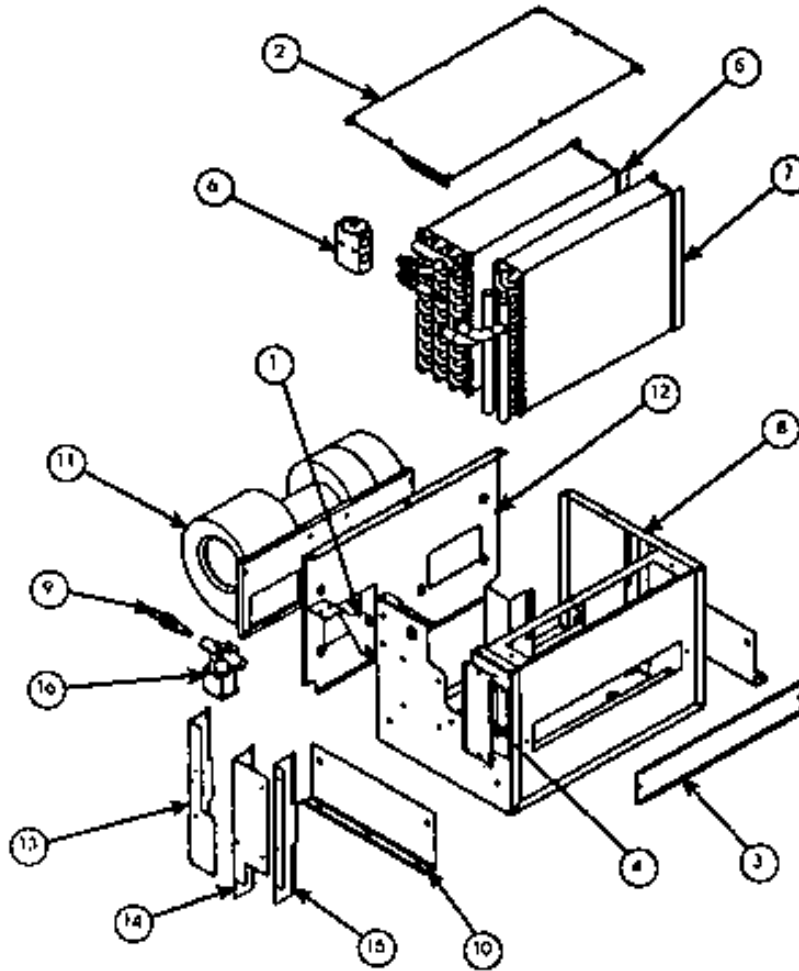


HEATER-AC



# Heater- Air Conditioner Model R-2550

## SERVICE PARTS LIST



ITEM	NOTE	PART NO.	DESCRIPTION	CAT NO	ITEM	NOTE	PART NO.	DESCRIPTION	CAT. NO
1		RD-3-9176-1	BRKT. - ATTACH., SOLENOID		9		RD-3-3321-0	INLET TUBE ASSY. - #6	
2		RD-3-9175-1	COVER		10		RD-3-9174-1	LEG- MOUNTING	
3		RD-3-9180-1	COVER - OUTLET, AIR		11		RD-5-9051-0	MOTOR BLOWER ASSY.	
4		RD-3-9276-1	COVER - OUTLET, AIR		12		RD-3-9173-2	PANEL ASSY. - BLOWER	
5		RD-2-3398-0	EVAPORATOR ASSY.		13		RD-3-9196-1	RETAINER- HEADER	
6		RD-5-6868-0	EXPANSION VALVE	70R 8300	14		RD-3-9177-1	RETAINER- HEADER, TOP	
7		RD-1-1748-0	HEATER CORE ASSY.		15		RD-3-9277-0	RETAINER- HEADER, TOP	
8		RD-3-9197-0	HOUSING - ASSY.		16		RD-3-7844-0	SOLENOID ASSY.	

Red Dot Corporation PO Box 88790, Seattle, WA 98138 (425) 251-6897 Fax (425) 251-3934

RD-5-9089-0 REV -

For Reference Only. Subject to change without notice

Page 1 of 1

## R-270 Auxiliary Heater



**TRUCKS**  
**RECREATIONAL**  
**VEHICLES**

An extremely compact heater the R-270 series offers a highly tooled light weight design. There are three optional "Snap In" outlet configurations available which will allow for various air flow configurations. In addition Red Dot offers an optional installation kit which includes mounting hardware and fan switch.

### R-270 SPECIFICATIONS

<b>BTU'S</b>	Heating – 15,000 BTU/hr @ 100°F air temp. rise (4.4 kW @ 34.8°C)
<b>AIR FLOW</b>	140 CFM (237 m <sup>3</sup> /h)
<b>WEIGHT</b>	7 lbs. (3 kg)
<b>MOTORS</b>	One 12 VDC (2 speed)
<b>CURRENT DRAW</b>	7.7 amps @ 13.6 VDC 3.8 amps @ 27.2 VDC
<b>UNITS</b>	R-270-OP (12 VDC) R-270-0-24P (24 VDC)

### OPTIONS:

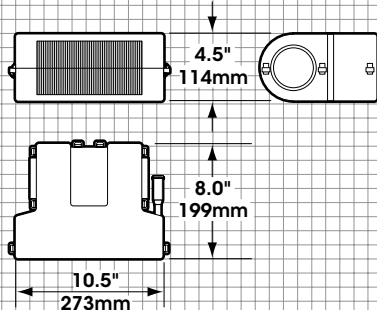
#### Snap In Outlets

**Straight 2 1/4" Hose Outlet**  
72R4532



**Installation Kit**  
RD-1-1654-OP

**Louvered Outlet**  
72R3157



## R-290 Auxiliary Single Blower Heater

Where air velocity is of utmost importance, Red Dot has added high performance three-speed motor blower assemblies to its compact heater models. The R-290 and R-295 (at right) auxiliary heaters deliver maximum BTU's with unsurpassed CFM. A defrost hose adapter is available to make ducting air possible.

### R-290 SPECIFICATIONS

<b>BTU'S</b>	20,000 BTU/Hr @ 150°F (kw 5.86 @ 65.6°C) air temp. rise	
<b>AIR FLOW</b>	220 CFM (373 m <sup>3</sup> /h)	
<b>WEIGHT</b>	7 lbs. (3 kg)	
<b>CURRENT DRAW</b>	4.3 amps @ 13.6 VDC (high speed) 2.7 amps @ 27.2 VDC (high speed)	
<b>MODELS</b>	R-290-OP	(12 VDC), 5/8 fitting rear exit
	R-290-0-24P	(24 VDC), 5/8 fitting rear exit
	<b>LS</b> R-290-1-24P	(24 VDC), 3/4 fitting rear exit
	R-290-4P	(12 VDC), 5/8 fitting floor exit
	R-290-4-24P	(24 VDC), 5/8 fitting floor exit

**LS** = Limited to stock on hand

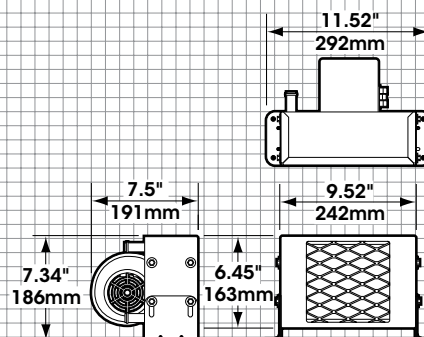


### OPTIONS:

**Defrost Hose Outlet Adapter**  
3 1/2" RD-1-0639-OP

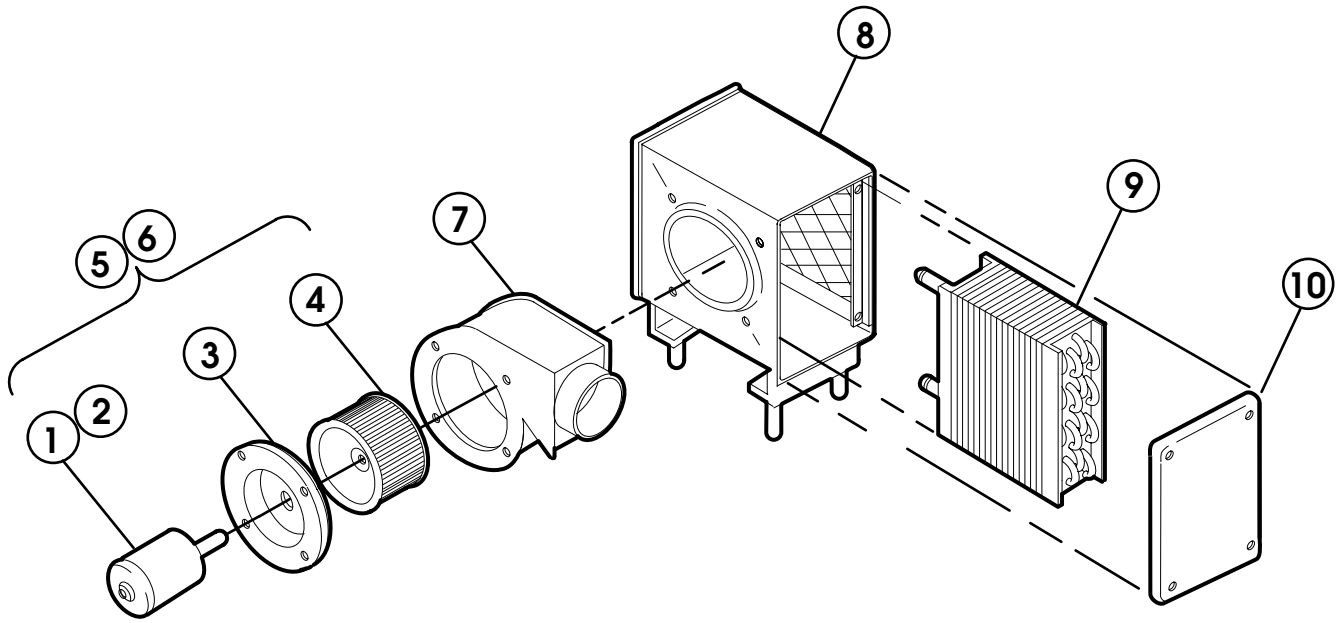
**Switch**  
71R1150

**Knob**  
71R4050



**LS** = Limited to stock on hand

# SERVICE PARTS LIST



ITEM	NOTE	PART NO.	DESCRIPTION	CAT. NO.	ITEM	NOTE	PART NO.	DESCRIPTION	CAT. NO.
1		RD-3106-18	MOTOR BLOWER - 12V	73R 0202	6		RD-3-3739-0	MOTOR BLOWER ASSY-24V	
2		RD--3106-18-24	MOTOR BLOWER - 24V	73R 0204	7		RD-3-3169-5	BLOWER HOUSING ASSY	
3		RD--4101-4	MOTOR MOUNT		8		RD-1-0335-0	HEATER HOUSING ASSY	
4		RD-3106-14	BLOWER WHEEL		9		RD-1-0333-4	HEATER CORE	
5		RD-3106-27	MOTOR BLOWER ASSY-12V		10		RD-3-2624-1	COVER ASSY-CORE	

## APPLICATION

Truck Sleeper Cabs

Marine\*

Recreational Vehicles

This heater is small and compact and designed to compliment an existing heater as a defroster or to provide a primary heat source for small cabs where defrosters are not required.

\*With Fresh Water Cooling Only

## ORDERING INFORMATION

ORDER BY MODEL NUMBER **R-3911H**  
FOR 24 VOLT APPLICATIONS ADD **-24** TO MODEL NUMBER

Additional cost items required for installation:

1. Single Speed Switch or  
RD-32001-1 Control Switch.
2. 5/8" Heater Hose and Clamps.
3. Water Valve
4. 3" Defrost Hose and Outlet Louvers

**RED DOT CORPORATION** P.O. BOX 58270 Seattle, WA 98188 (253) 575-3840

RD-3-5393-0 (REV A)

**ISSDistribution.com** Call (800) 333-7976

FOR REFERENCE ONLY. SUBJECT TO CHANGE WITHOUT NOTICE

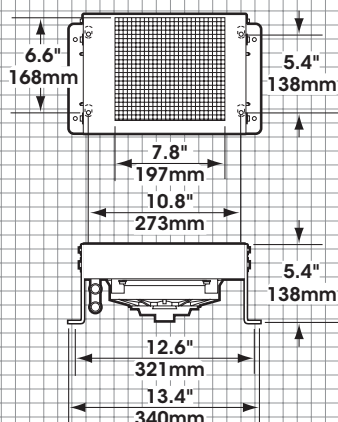
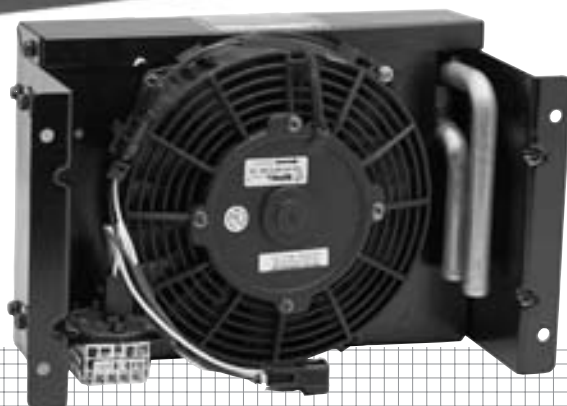
# R-3540 HEATERS

## Auxiliary Heater

**FIRE TRUCKS • BUSES • VANS**

Designed to fit small areas, the R-3540 delivers a lot of BTU's for its size. Using a pancake fan design, this unit is quiet and moves close to 200 CFM of air. The R-3540 has versatile mounting (either flat or horizontal) and contains a resistor for variable speed control.

R-3540 SPECIFICATIONS	
<b>BTU'S</b>	22,970 BTU's/hr @ 180°F (kw 6.73 @ 82.6°C) air temp. rise
<b>AIR FLOW</b>	194 CFM (330 m3/h)
<b>WEIGHT</b>	10 lbs. (4.5 kg)
<b>CURRENT DRAW</b>	4.8 amps @ 13.6 VDC
<b>MODELS</b>	R-3540-2P (12 VDC)



# R-4013H

## Heater/Defroster Unit



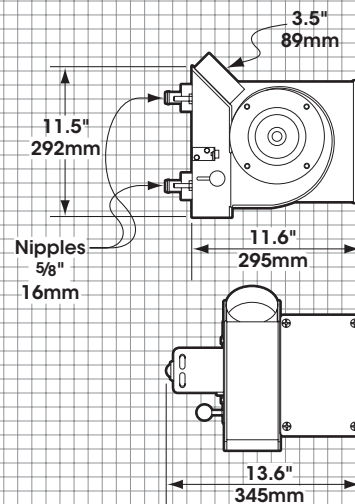
**OFF ROAD • CONSTRUCTION • INDUSTRIAL**

The R-4013 is a compact, versatile and high output heater/defroster. Like other Red Dot heaters, the tube and fin coil design allows mounting in any position. Along with a two speed motor, a diversion door can be manually or cable operated to control defrost and heat output. An optional adapter to the heat outlet turns the R-4013 into a dual defroster or multi compartment heater.

R-4013H SPECIFICATIONS	
<b>BTU'S</b>	Heating – 20,000 BTU/hr @ 100°F (5.7 kW @ 37.8°C) air temp. rise
<b>AIR FLOW</b>	185 CFM (314 m3/h)
<b>WEIGHT</b>	15.7 lbs. (7.1 kg)
<b>CURRENT DRAW</b>	11 amps @ 13.6 VDC, 5.5 amps @ 27.2 VDC
<b>MODELS</b>	R-4013HP (12 VDC) For 24 volt see R-6130 on the following page

### OPTIONS:

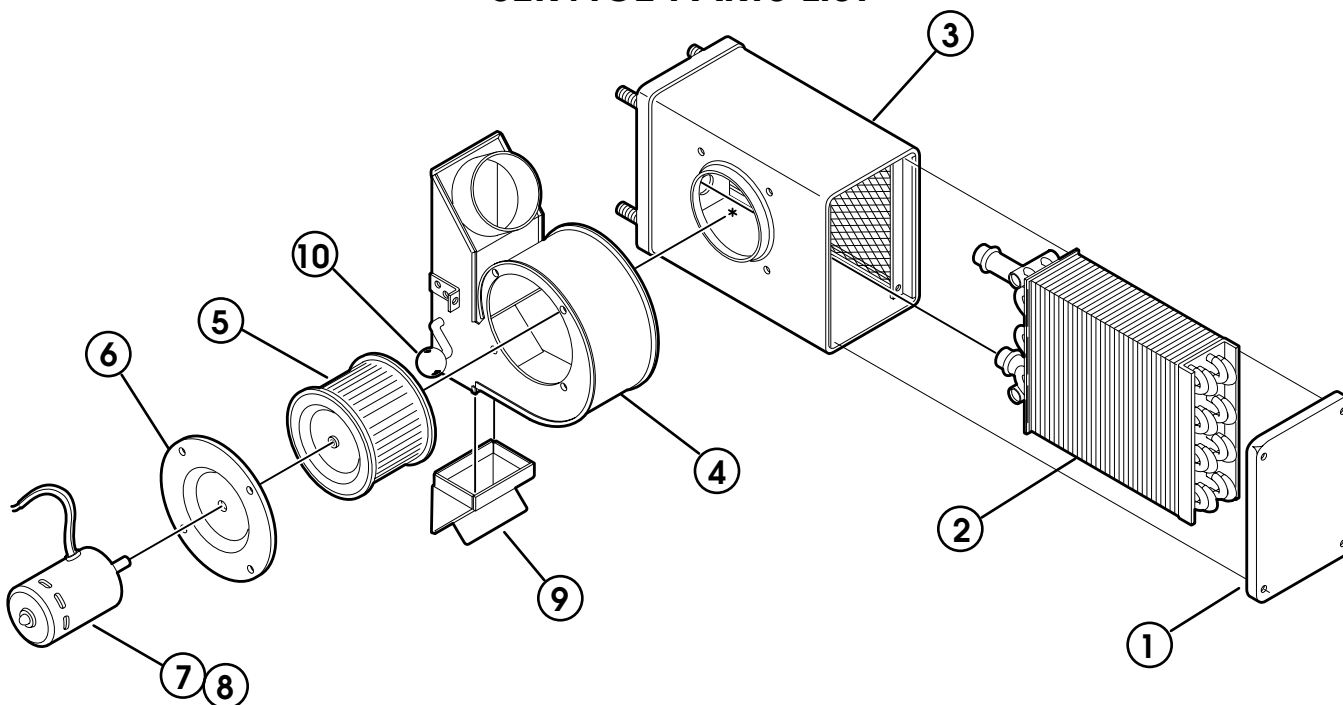
- Heater Hose**  
5/8" – 50'  
78R0100
- 2nd Defrost Adapter**  
RD-3187-0P
- 3 1/2" Defrost Adapter**  
72R3550



HEATER ONLY



# SERVICE PARTS LIST



ITEM	NOTE	PART NO.	DESCRIPTION	CAT. NO.	ITEM	NOTE	PART NO.	DESCRIPTION	CAT. NO.
1		RD-3-2624-1	COVER ASSY		6		RD-4101-4	MOTOR MOUNT	
2		RD-1-0147-2	HEATER CORE		7		RD-3106-13	MOTOR (12V)	73R 0602
3		RD-1-0453-0	HOUSING ASSY		8		RD-3106-13-24	MOTOR (24V)	73R 0604
4		RD-1-0455-0	BLOWER PLENUM ASSY		9	A	RD-3187-0	2ND HOSE ADAPTER	
5		RD-3106-9	BLOWER WHEEL	73R 6050	10		RD-4120-0	KNOB	71R 4100

A. OPTIONAL - ORDER SEPARATELY

## APPLICATION

**Marine**

**Construction & Industrial**

**Recreational**

This unit was designed as a versatile package to meet increasing demands for heating and defrosting in the above equipment, also for an additional source of heat to complement existing heaters and defrosters.

NOTE: None of these heaters are designed for other than fresh water application.

## ORDERING INFORMATION

ORDER BY MODEL NUMBER R-4013-0  
FOR 24 VOLT APPLICATION ADD -24 TO MODEL NUMBER.

Additional cost items required for complete system:

1. Two speed fan switch.
2. 5/8" heater hose and clamps.
3. Water valve.
4. 3 1/2" defrost hose and outlet louvers.
5. 2nd hose adapter (optional) RD-3187-0

**RED DOT CORPORATION** P.O. Box 58270 Seattle, WA 98138 (253) 575-3840

RD-5-7113-0 (REV A)

ISSDistribution.com  PRINTED ON RECYCLED PAPER Call (800) 333-7976

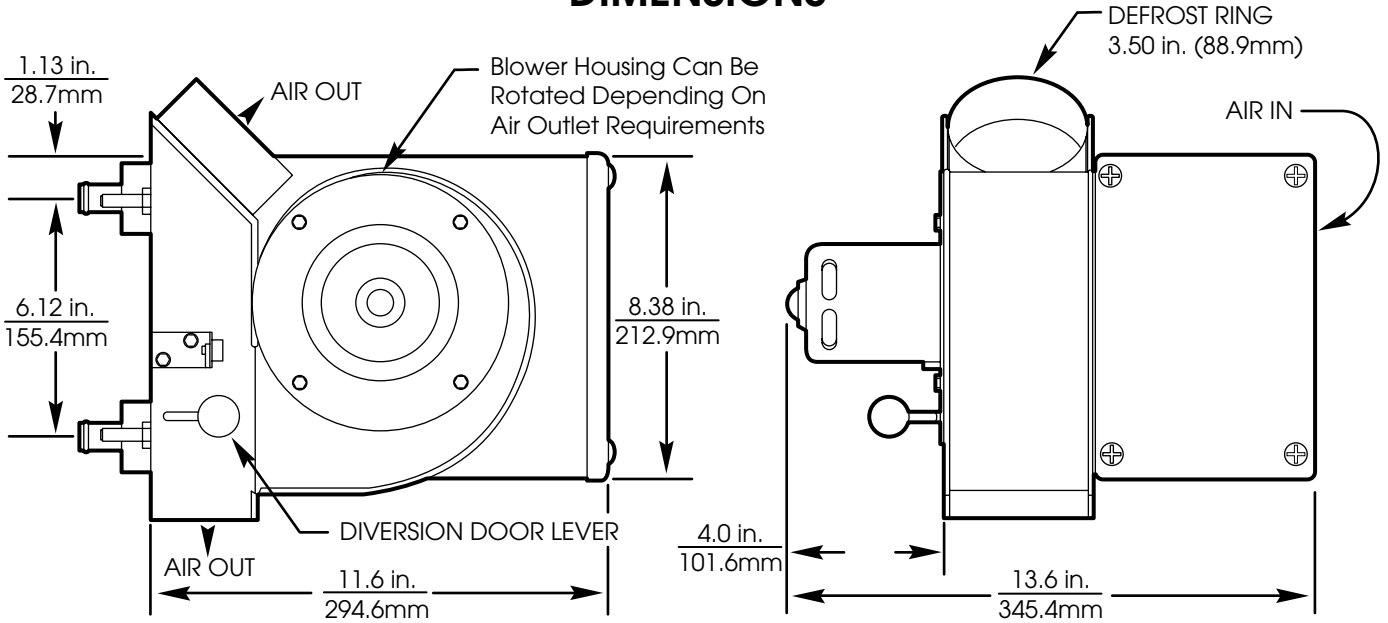
FOR REFERENCE ONLY. SUBJECT TO CHANGE WITHOUT NOTICE



# Red Dot Heater-Defroster R-4013 Series

## TECHNICAL SALES BULLETIN AND SERVICE PARTS LIST

### DIMENSIONS

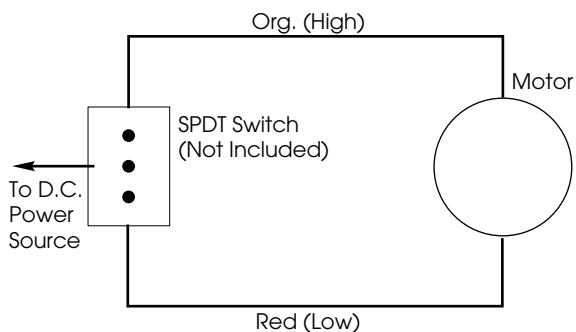


### SPECIFICATIONS

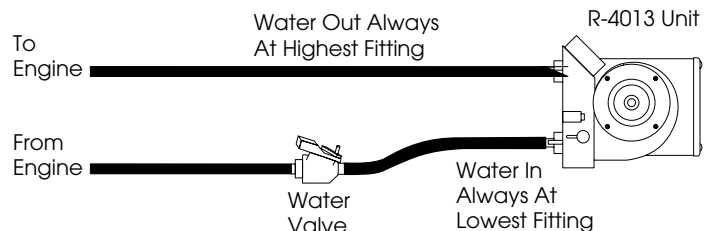
<b>BTU's Per Hour:</b>	20,000 BTU/Hr @ 100°F Air Temperature Rise
<b>Air Flow:</b>	185 C.F.M.
<b>Current Draw:</b>	11 Amps @ 13.6 Volts
<b>Weight:</b>	15.7 Lbs.

### SCHEMATICS

#### ELECTRICAL SCHEMATIC

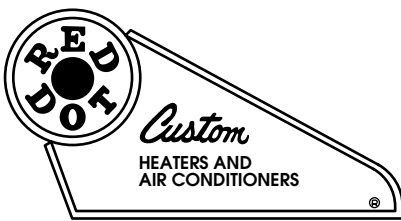


#### PLUMBING SCHEMATIC



ISSDistribution.com - Call (800) 333-7976

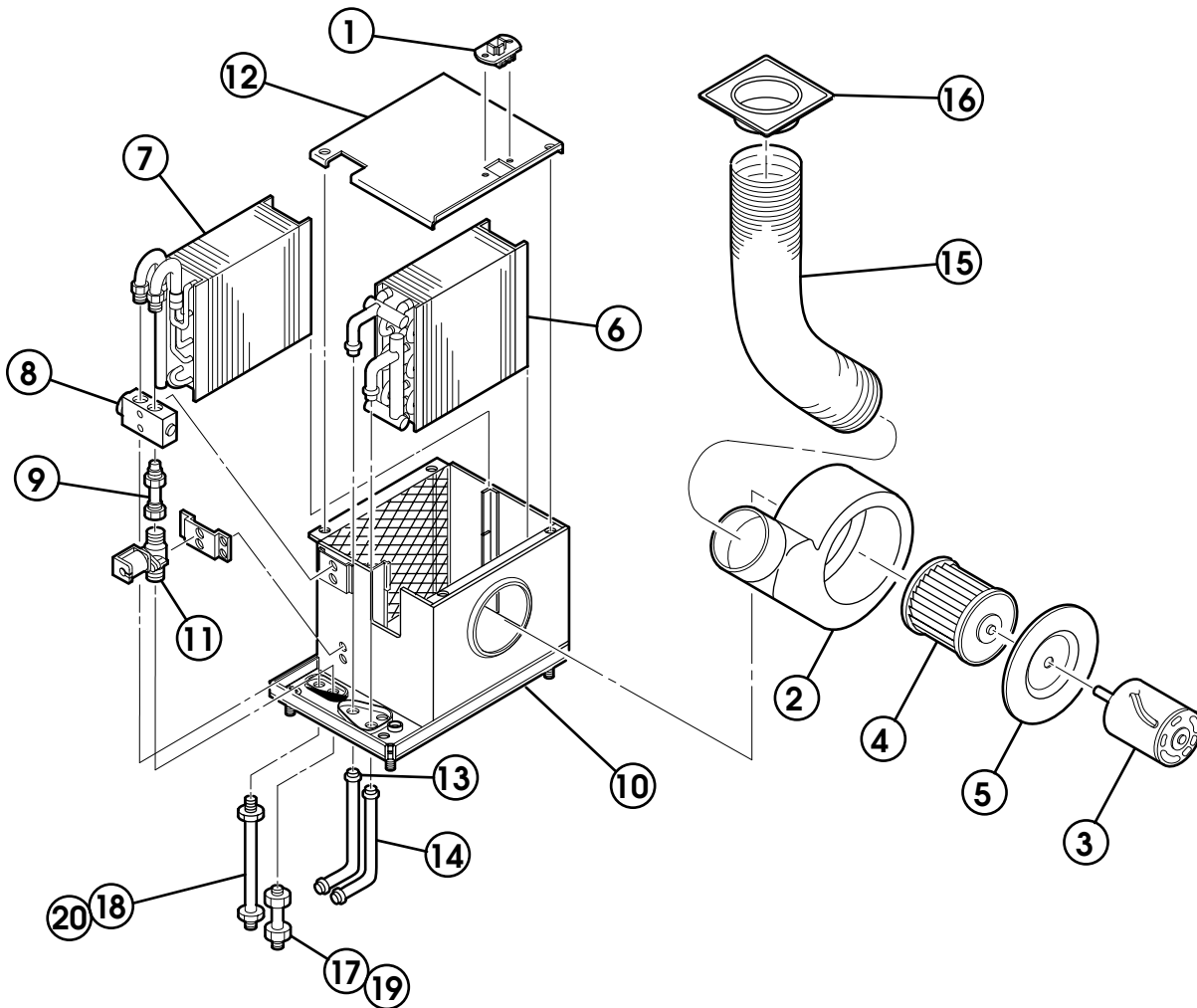
NOTE: Motor internally grounded.



# Sleeper Heater-Air Conditioner/Heater Only

## SERVICE PARTS LIST AND ELECTRICAL SCHEMATIC

### SERVICE PARTS LIST



ITEM	NOTE	PART NO.	DESCRIPTION	CAT. NO.	ITEM	NOTE	PART NO.	DESCRIPTION	CAT. NO.
1		RD-5-3647-0	RESISTOR	71R 1450	11	A	RD-4188-0	SOLENOID	71R 9002
2		RD-3-4009-0	BLOWER HOUSING ASSY		12		RD-3-4052-0	COVER ASSY	
3		RD-5-6315-0	MOTOR - 12V	73R 0962	13		RD-1-0662-2	TUBE - OUTLET, 5/8"-5/8"	
4		RD-5-5601-0	BLOWER WHEEL	73R 6370	14		RD-1-0662-0	TUBE - INLET, 5/8"-5/8"	70R 7170
5		RD-3-4066-0	MOTOR MOUNT		15		RD-5-3927-30	DEFROST HOSE - 4"	
6		RD-1-0665-0	HEATER CORE ASSY	76R 2450	16		RD-3-1566-2	AIR OUTLET ASSY	
7	A	RD-2-1590-0	EVAPORATOR ASSY	76R 6140	17	C	RD-3-5395-0	INLET TUBE ASSY #6	
8	A	RD-4157-0	EXPANSION VALVE	71R 8300	18	C	RD-3-5964-0	OUTLET TUBE ASSY #10	
9	A	RD-3-3321-0	TUBE ASSY - INLET		19	D	RD-3-5979-0	INLET TUBE ASSY #6	
10		RD-3-4072-0	HOUSING ASSY		20	D	RD-3-5980-0	OUTLET TUBE ASSY #10	

A. HEATER - A/C COMBO ONLY B. NOT SHOWN AND PURCHASED SEPARATELY - RD-3-3751-1 ELECTRONIC SLEEPER CONTROL OR RD-3-1359-8 ELECTRO-MECHANICAL CONTROL. FOR HEATER ONLY USE RD-3-1359-7 ELECTRO-MECHANICAL CONTROL. C. RD-4122-0 & -2 ONLY D. RD-4122-3 & -4 ONLY

# Model R-4122 Series

ISSDistributors.com Call (800) 338-7976

RD-3-4742-0 (REV A) FOR REFERENCE ONLY. SUBJECT TO CHANGE WITHOUT NOTICE

## ON ROAD

# R-5040 BACKWALL

## Heater Unit with A/C Option

**MOTOR HOMES • ARMORED CARS • AID CARS • LARGE CABS**

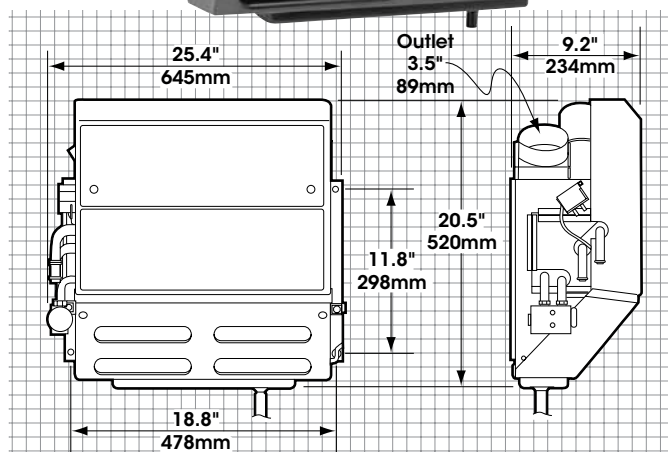
The R-5040 was designed with versatility in mind. The blower assemblies are accessible so that the installer has the ability to duct the air where it's needed. In addition controls can be remote mounted so that they are easily reached. With over 400 CFM the R-5040 is ideal for larger cab applications.

**NOTE:** Controls are customer supplied.



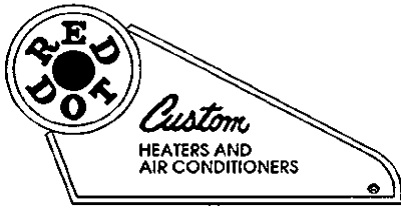
### R-5040 SPECIFICATIONS

<b>BTU'S</b>	Heating – 48,000 BTU/hr @ 100°F (14 kW @ 37°C) air temp. rise Cooling – 32,000 BTU/hr with 36°F (9.4 kW with 2.2°C) refrigerant temp. and 80°F (26.7°C)
<b>AIR FLOW</b>	425 CFM (722 m3/h)
<b>WEIGHT</b>	Heater – 30 lbs. (14 kg) Heater-A/C – 39 lbs. (18 kg)
<b>MOTOR</b>	Two three-speed
<b>CURRENT DRAW</b>	27 amps @ 13.6 VDC (includes 4 amps for A/C clutch); 14.5 amps @ 27.2 VDC (including 2 amps for A/C clutch)



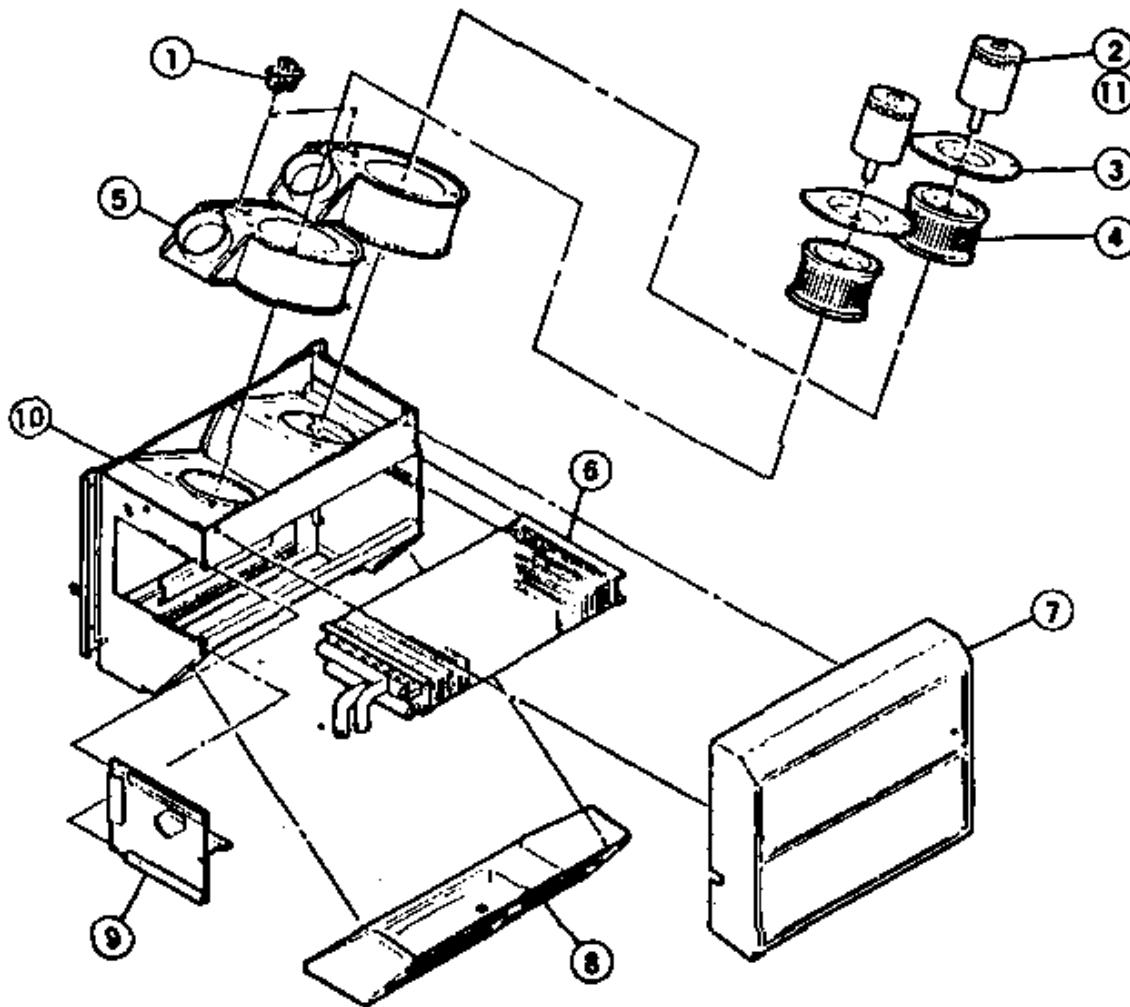
### R-5040 SYSTEM ORDERING GUIDE

	R12/R-134a	NOTES
<b>UNITS</b>	R-5040-0P R-5040-2P R-5040-4P R-5040-6P	12 VDC Heater 24 VDC Heater 12 VDC Heater/Air Conditioner 24 VDC Heater/Air Conditioner
<b>CONDENSER</b>	77R0700 - Radiator mount R-9730 - Remote mount	See 77 Series Condensers section See Units Condensers section
<b>INSTALLATION KIT</b>	78R1027 / RD-5-11864-1P 78R1025 78R1070	Front mount condenser / E-Z Clip version Front mount condenser / ATCO version Remote mount condenser / ATCO version
<b>COMPRESSOR</b>	See 75 Series Compressor section	
<b>R12 SERVICE VALVES</b>	75R5611 & 75R5618	Required with CCI and TECUMSEH applications.
<b>R134A CHARGE FITTING</b>	75R5681 & 75R5688	Required with CCI and TECUMSEH applications.
<b>CLUTCH TECUMSEH/CCI</b>	See 75 Series Clutch section	
<b>COMPRESSOR MOUNT KIT</b>	See Compressor Mount Applications section	
<b>OPTION</b>	See 71 Series Control Panels section	



# Heater Models R-5040-0 & R-5040-2

## SERVICE PARTS LIST



ITEM	PART NO.	DESCRIPTION	ITEM	PART NO.	DESCRIPTION
1	RD-5-3647-0	RESISTOR (2 REQ.)	7	RD-3-2415-2	CORE COVER
2	RD-5-3753-0	MOTOR (2 REQ.)	8	RD-3205-29	AIR INTAKE COVER ASSY.
3	RD-4101-6	MOTOR MOUNT (2 REQ.)	9	RD-3-2652-1	CORE COVER ASSY.
4	RD-3106-110	BLOWER WHEEL (2 REQ.)	10	RD-3-2649-0	HOUSING ASSY.
5	RD-3-2220-0	BLOWER ASSY. (2 REQ.)	*11	RD-5-3751-24	MOTOR - 24V (2)
6	RD-1-0325-0	HEATER CORE	*12	RD-5-3948-0	LABEL - 24V

\*ITEMS 11 & 12 USED ON MODEL R-5040-2 ONLY

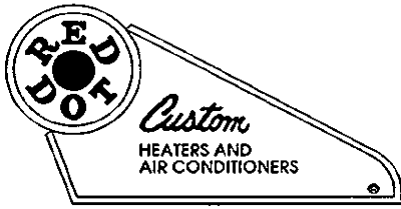
Red Dot Corporation PO Box 88790, Seattle, WA 98138 (425) 251-6897 Fax (425) 251-3934

RD-3-2662-0 REV -

For Reference Only. Subject to change without notice

Page 1 of 1

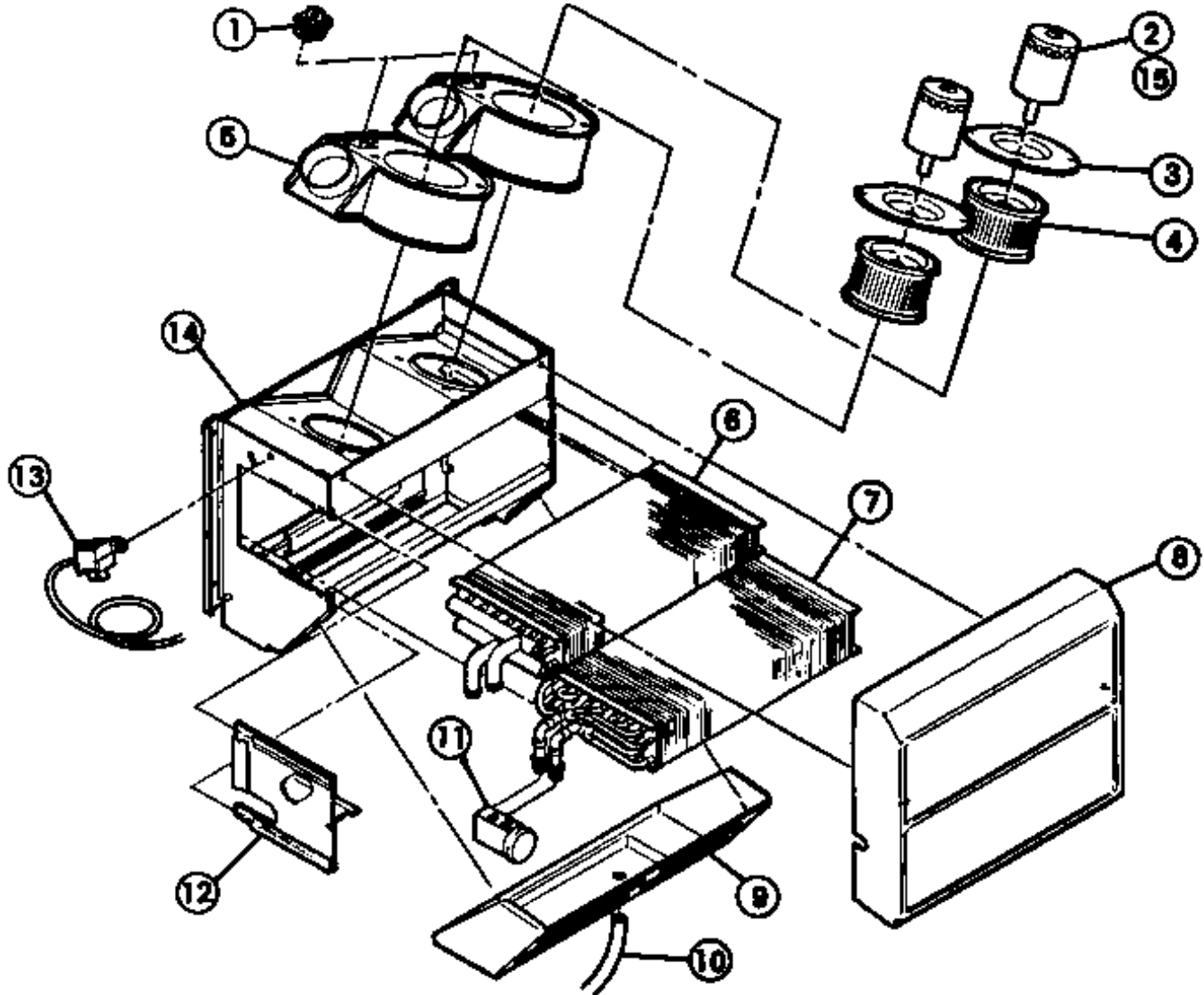
ISSDistribution.com - Call (800) 333-7976



# Heater – Air Conditioner

## Models R-5040-4 & R-5040-6

### SERVICE PARTS LIST



ITEM	PART NO.	DESCRIPTION	ITEM	PART NO.	DESCRIPTION
1	RD-5-3647-0	RESISTOR (2 REQ.)	9	RD-3205-29	AIR INTAKE COVER
2	RD-5-3753-0	MOTOR (2 REQ.)	10	RD-5-3550-12	DRAIN HOSE
3	RD-4101-6	MOTOR MOUNT (2 REQ.)	11	RD-4157-0	EXPANSION VALVE
4	RD-3106-10	BLOWER WHEEL (2 REQ.)	12	R-3-2652-0	CORE COVER ASSY.
5	RD-3-2220-0	BLOWER ASSY. (2 REQ.)	13	RD-5-4531-24	THERMOSTAT
6	RD-1-0325-0	HEATER CORE	14	RD-3-2649-0	HOUSING ASSY.
7	RD-2-1370-0	EVAPORATOR COIL	*15	RD-5-3751-24	MOTOR -24V (2)
8	RD-3-2415-2	CORE COVER	*16	RD-5-3948-0	LABEL-24V

\* ITEMS 15 & 16 USED ON MODEL R-5040-6 ONLY

Red Dot Corporation PO Box 88790, Seattle, WA 98138 (425) 251-6897 Fax (425) 251-3934

**R-6130**  
*Box Heater*

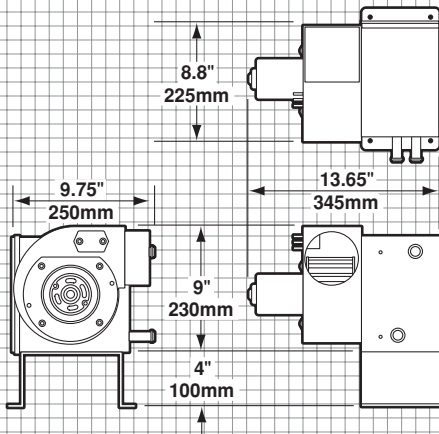
**BUSES** •  
**CONSTRUCTION** •  
**OFF-ROAD**

The R-6130's compact size makes for easy mounting in tight areas. With it's rotatable blower, ducting the heat up to the sleeper or cab is easily accomplished.



**R-6130 SPECIFICATIONS**

<b>BTU'S</b>	Heating – 28,100 BTU's/hr @ 180°F (8.2 kW @ 37.8°C) air temp. rise
<b>AIR FLOW</b>	283 CFM (481 m3/h)
<b>WEIGHT</b>	12 lbs. (12.7kg)
<b>MOTORS</b>	Permanent magnet, three-speed
<b>CURRENT DRAW</b>	17 amps @ 13.6 VDC 8 amps @ 27.2 VDC
<b>MODELS</b>	R-6130-1P (12 VDC) R-6130-0P (24 VDC)



**NOTES**

---

---

---

---

---

---

---

---

---

---

---

---

---

---

---

---

---

---

---

---

---

---

---

---

**HEATER ONLY**

## OFF ROAD

# R-9520 FLOOR

## Heater A/C with Reversible Cores

**CONSTRUCTION • MINING • AGRICULTURE**

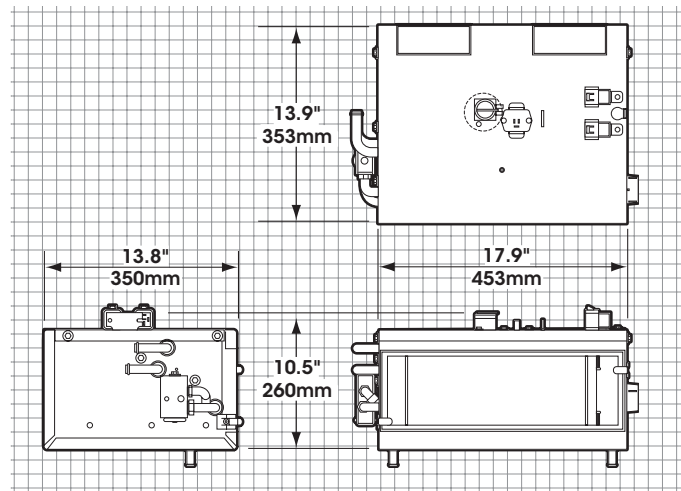
Designed to be floor mounted behind the seat the R-9520 is low profile and provides significant air flow. The plenum options have been designed to offer maximum flexibility to duct or direct the air where it's needed. A variety of remote-mount controls are available to complete the installation. A plastic trim kit is also available to be used with the louvered plenum assembly to complete the integrated look.



**NOTE: Controls are customer supplied.**

### R-9520 SPECIFICATIONS

<b>BTU'S</b>	Heating – 31,600 BTU/Hr @ 100°F (9.3 kW @ 37.8°C) air temp. rise, Cooling – 33,070 BTU/hr with 36°F (9.7 kW with 2.2°C) refrigerant temp. and 80°F (26.7°C) wet bulb entering air
<b>AIR FLOW</b>	430 CFM (730 m3/h)
<b>WEIGHT</b>	41 lbs. (19 kg)
<b>MOTOR</b>	One three-speed; vented; permanent magnet
<b>CURRENT DRAW</b>	11.2 amps @ 27.2 VDC (includes 2 amps for A/C clutch)
<b>MODELS</b>	R-9520-0P (12 VDC) Heater / Air Conditioner R-9520-0-24P (24 VDC) Heater / Air Conditioner <b>LS</b> R-9520-1P (12 VDC) Air Conditioner Only



### R-9520 SYSTEM ORDERING GUIDE

	R12/R-134a	NOTES
<b>UNIT</b>	R-9520-0P R-9520-0-24P R-9520-1P R-9520-1-24P	12 VDC - Heater / Air Conditioner 24 VDC - Heater / Air Conditioner 12 VDC - Air Conditioner Only 24 VDC - Air Conditioner Only
<b>CONDENSER</b>	77R7100 - Radiator Mount R-9725-1P - Remote Mount R-9725-1-24P - Remote Mount	See 77 Series Condensers section 12 VDC - See Units Condensers section 24 VDC - See Units Condensers section
<b>INSTALLATION KITS</b>	78R1027 / RD-5-11864-1P 78R1025 78R1705	Radiator mount condenser / E-Z Clip version Radiator mount condenser / ATCO version Remote Mount Condenser
<b>COMPRESSOR</b>	See 75 Series Compressor section	
<b>R12 SERVICE VALVES</b>	75R5611 & 75R5618	Required with CCI and TECUMSEH applications.
<b>R134A CHARGE FITTING</b>	75R5681 & 75R5688	Required with CCI and TECUMSEH applications.
<b>CLUTCH TECUMSEH/CCI</b>	See 75 Series Clutch section	
<b>COMPRESSOR MOUNT KIT</b>	See Compressor Mount Applications section	
<b>OPTION</b>	See 71 Series Control Panels section	

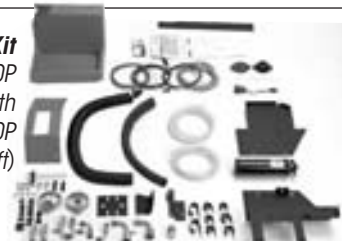
**Louvered Plenum Assembly**  
RD-3-10111-0P



**Ductable Plenum Assembly**  
RD-3-10112-0P

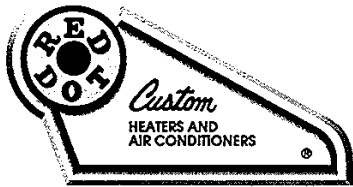


**Trim Kit**  
RD-11-0155-0P  
(ONLY for use with RD 3-10111-0P plenum at far left)



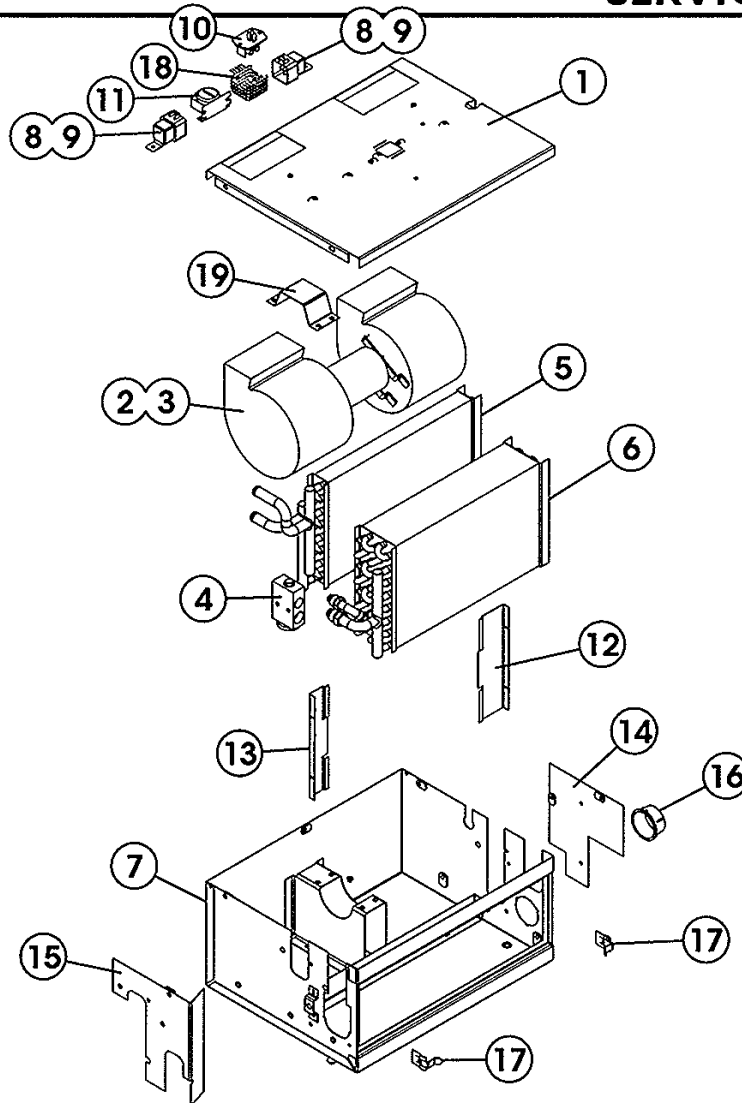
**LS** = Limited to stock on hand





# Heater-Air Conditioner Model R-9520

## SERVICE PARTS LIST



ITEM	NOTE	PART NO.	DESCRIPTION	CAT. NO.
1		RD-3-8928-0	Cover Assembly - Housing	
2		RD-3-7383-0	Motor Blower Assembly - 12v	
3		RD-3-7383-1	Motor Blower Assembly - 24v	
4		RD-5-7015-0	Expansion Valve	71R8320
5		RD-1-2006-0	Heater Core Assembly	
6		RD-2-3070-0	Evaporator Core Assembly	
7		RD-3-8942-0	Housing Assembly	
8		RD-5-6690-0	Relay - 12v, Metri-Pac	71R1902
9		RD-5-6693-0	Relay - 24v, Metri-Pac	71R1904
10		RD-5-3647-0	Resistor - Speed Control	71R1450

ITEM	NOTE	PART NO.	DESCRIPTION	CAT. NO.
11		RD-5-4531-24	Thermostat	71R3200
12		RD-3-7696-0	Retainer - Core & Evaporator	
13		RD-3-9884-0	Retainer - Core & Evaporator	
14		RD-3-7697-0	Cover Assembly - Reversed Plumbing	
15		RD-3-8934-0	Cover - Plumbing	
16		RD-5-4487-0	Adapter - Hose, 2" Diameter	
17		RD-5-6239-0	Snap Fastener	
18		RD-3-8113-0	Guard - Resistor	
19		RD-3-3174-0	Retainer - Motor	
20	A	RD-5-8076-0	Air Filter	

NOTES: A= Not shown

### RED DOT CORPORATION

P.O.Box 88790 Seattle, WA 98138 (206) 575-3840 fax (206) 574-6659

RD-3-11163-0 (REV -)

FOR REFERENCE ONLY. SUBJECT TO CHANGE WITHOUT NOTICE

